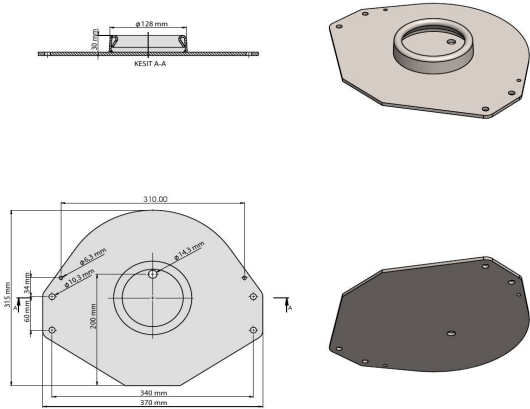


AIR SPRING TOP PLATES

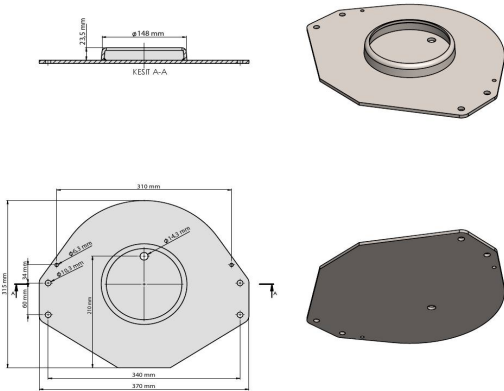
TRP - 2000



TRP-2000 SETRA REAR AIR SPRING TOP PLATE

OEM REFERENCES		CROSS REFERENCES	
SETRA	107233610211C	CF GOMMA	92574
		GART	276.0.390
		FIRESTONE	W01 095 01 18
		DUNLOP	PNP301470102
		CONTITECH	644 N
		BLACKTECH	RL 9755
		AIRTECH	3644
		GOOD YEAR	8017
		PHOENIX	1 E 21
		VIBRACOUSTIC	V 1 E 21

TRP - 2001



TRP-2001 SETRA FRONT AIR SPRING TOP PLATE

OEM REFERENCES		CROSS REFERENCES	
SETRA	107231010204C	CF GOMMA	8018
		GART	297.0.390
		FIRESTONE	W01 095 0021
		DUNLOP	PNP3049800101
		CONTITECH	661 N
		BLACKTECH	RL 9772
		AIRTECH	3661
		PHOENIX	1 E 25
		VIBRACOUSTIC	V 1 E 25(-2)

TRP-2002 BMC PROBUS AIR SPRING TOP PLATE

OEM REFERENCES		CROSS REFERENCES	



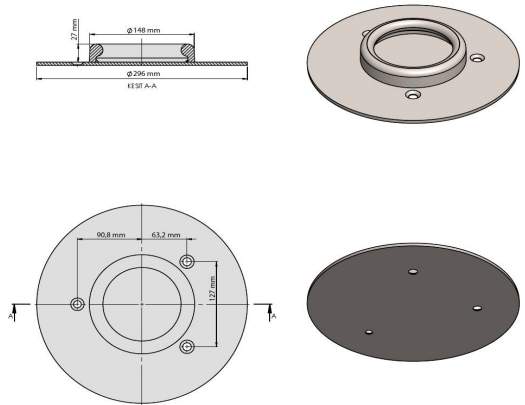
TRP-2003

HYUNDAI AIR SPRING TOP PLATE



OEM REFERENCES		CROSS REFERENCES	

TRP - 2004

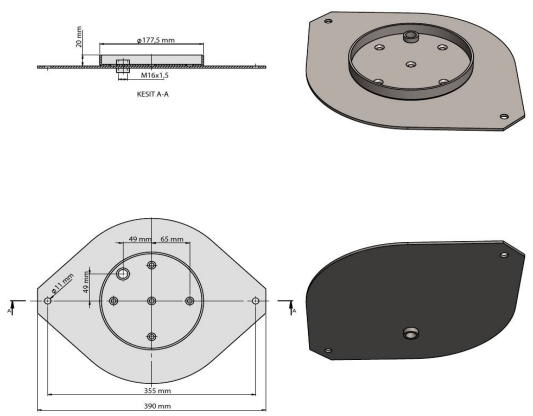


TRP-2004

MERCEDES 0403 AIR SPRING TOP PLATE

OEM REFERENCES		CROSS REFERENCES	
MERCEDES	3563200335	PHOENIX	1E 23
MERCEDES	6183200035	GOOD YEAR	9050
		CONTITECH	RZ 450-25
		BLACKTECH	RL 9561-36
		AIRTECH	3450-25
		VIBRACOUSTIC	V 1 E 23

TRP - 2005

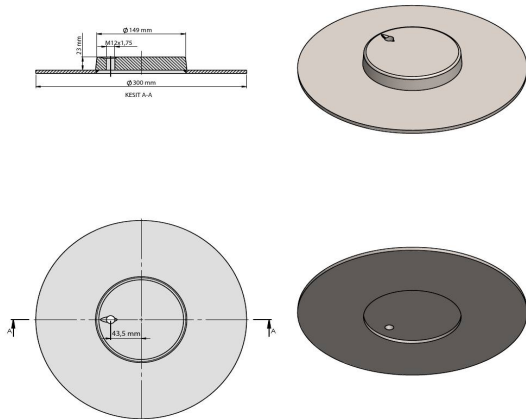


TRP-2005

BOVA AIR SPRING TOP PLATE

OEM REFERENCES		CROSS REFERENCES	
		VIBRACOUSTIC	VIE26A-13
		AIRTECH	3701
		BLACKTECH	RL9812
		CONTITECH	701 N
		FIRESTONE	W01 095 0205
		GOOD YEAR	9006
		PHOENIX	1E 26 A-13

TRP - 2006

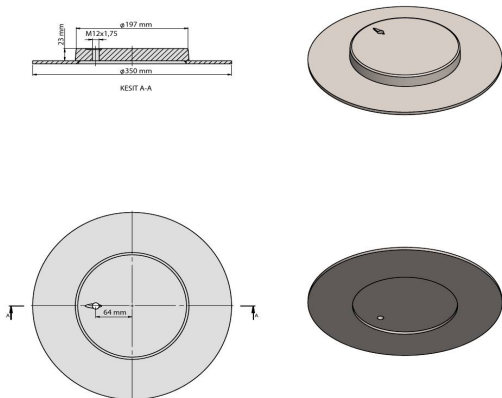


TRP-2006

NEOPLAN FRONT AIR SPRING TOP PLATE

OEM REFERENCES		CROSS REFERENCES	
NEOPLAN	12252A	CF GOMMA	8018
		GART	297.0.390
		FIRESTONE	W01 095 0021
		DUNLOP	PNP304980101
		CONTITECH	661 N
		BLACKTECH	RL 9772
		AIRTECH	3661
		PHOENIX	1 E 25
		VIBRACOUSTIC	V 1 E 25(-2)

TRP - 2007

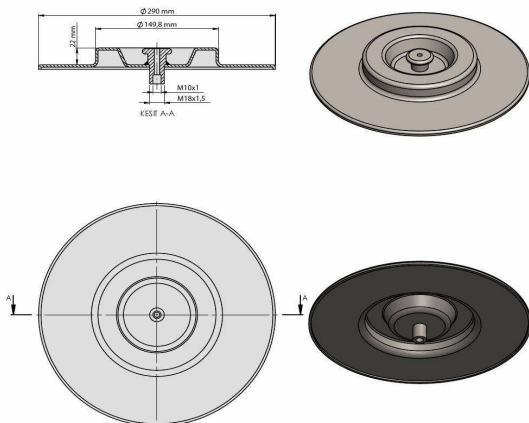


TRP-2007

NEOPLAN REAR AIR SPRING TOP PLATE

OEM REFERENCES		CROSS REFERENCES	
NEOPLAN	1021010800	GOOD YEAR	9007
NEOPLAN	12253A	GART	292.0.380
		FIRESTONE	W01 095 0207
		DUNLOP	PNP3027300101
		CONTITECH	662 N
		BLACKTECH	RL 9773
		AIRTECH	3662
		PHOENIX	1 E 32
		VIBRACOUSTIC	V 1 E 32

TRP - 2008



TRP-2008

RENAULT AIR SPRING TOP PLATE

OEM REFERENCES		CROSS REFERENCES	
		CONTITECH	661NP02
		DUNLOP	PNP304980101
		FIRESTONE	W010950021
		GART	2970390
		CF GOMMA	91016
		GOOD YEAR	8018
		PHOENIX	1E25
		VIBRACOUSTIC	V1E25-5
		BLACKTECH	RML9772C1
		AIRTECH	3661

TRP-2009

MAN AIR SPRING TOP PLATE

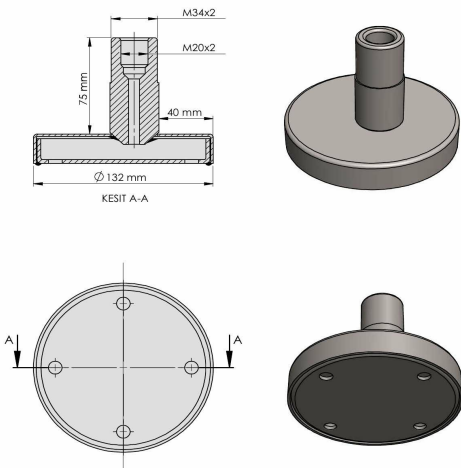


OEM REFERENCES

CROSS REFERENCES

OEM REFERENCES		CROSS REFERENCES	

TRP-2010



TRP-2010

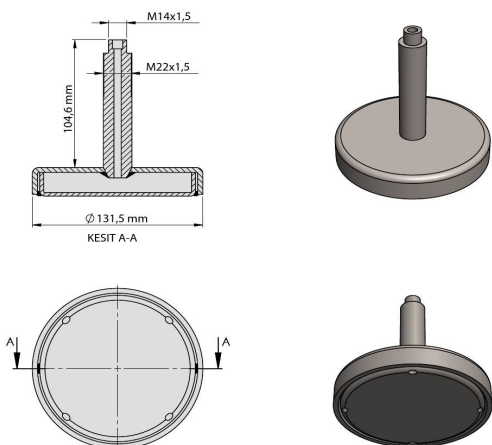
MERCEDES 0403 AIR SPRING'S AIR VALVE

OEM REFERENCES

CROSS REFERENCES

OEM REFERENCES		CROSS REFERENCES	
MERCEDES-BENZ	6183200135		
MERCEDES-BENZ	6293200035		

TRP - 2011



TRP-2011

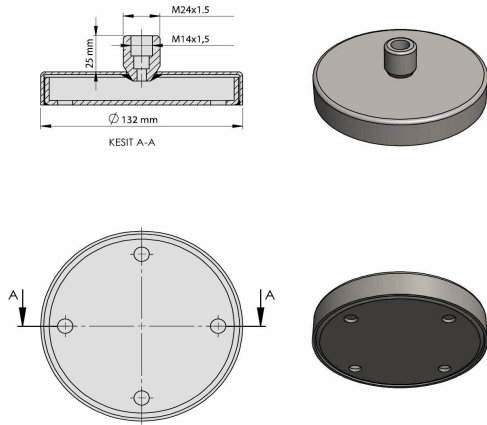
MERCEDES 0303-0304 AIR SPRING'S AIR VALVE

OEM REFERENCES

CROSS REFERENCES

OEM REFERENCES		CROSS REFERENCES	
MERCEDES	6123200035	CF GOMMA	92574
		GART	276.0.390
		FIRESTONE	W01 095 01 18
		DUNLOP	PNP301470102
		CONTITECH	644 N
		BLACKTECH	RL 9755
		AIRTECH	3644
		GOOD YEAR	8017
		PHOENIX	1 E 21
		VIBRACOUSTIC	V 1 E 21

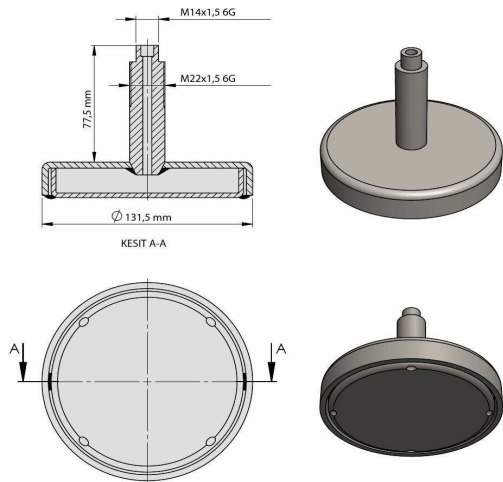
TRP-2012



TRP-2012 MERCEDES TRAVEGO AIR SPRING'S AIR VALVE

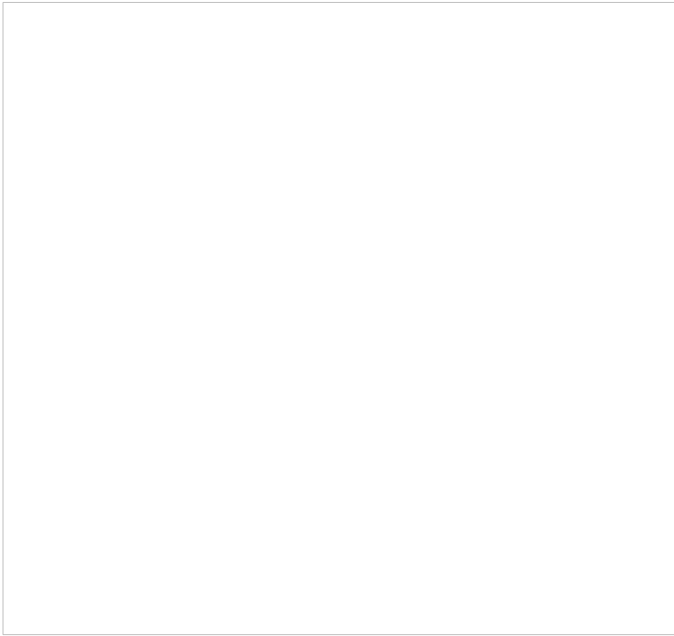
OEM REFERENCES		CROSS REFERENCES	
MERCEDES	6283200335		
MERCEDES	6283200535		
MERCEDES	6283200135		
MERCEDES	6283200435		

TRP - 2013



TRP-2013 BMC AIR SPRING'S AIR VALVE

OEM REFERENCES		CROSS REFERENCES	
BMC	53RS701918	VIBRACOUSTIC	V 1 E 21
		PHOENIX	1 E 21
		GOOD YEAR	8017
		GART	276.0.390
		CF GOMMA	92574
		FIRESTONE	W01 095 01 18
		DUNLOP	PNP301470102
		CONTITECH	644 N
		BLACKTECH	RL 9755
		AIRTECH	3644



TRP-2015

OEM REFERENCES		CROSS REFERENCES	

TRP-2028

OEM REFERENCES

CROSS REFERENCES

OEM REFERENCES		CROSS REFERENCES	